

## STANDARD HANDHELD- Multi Zone Security Metal Detector

### ■ Overview

The Standard Handheld Scanner is a very popular product among all sectors. The advanced automatic tuning transmit / receive circuitry is housed in a rugged high impact ABS plastic case and detects all metals and alloys. The units de-sensitivity feature and light detection pattern help reduce false alarms when screening at ankle height in the vicinity of floors with rebar. Sensitivity adjustments are made through a screwdriver access hole in the casing, thus reducing the potential for tampering or inadvertent adjustment.

- **Dimensions: 410mm (L) x 85mm (W) x 45mm (H)**
- **Typical Battery Life: 40 Hours**

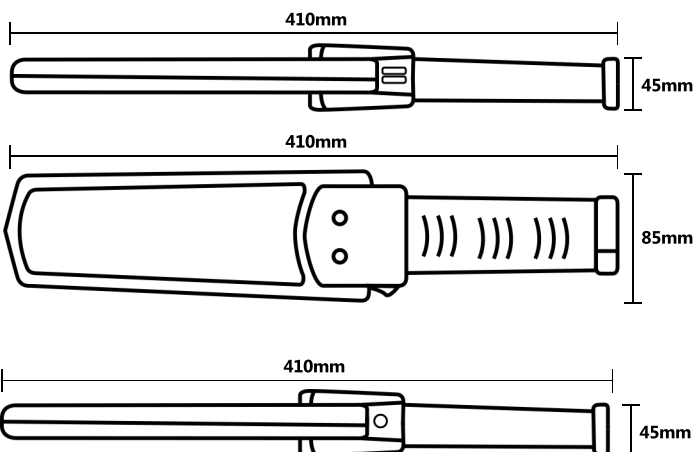
### ■ Features

- **Audio tone changes as metal size changes**
- **Lightweight comfortable grip with 360 degree detection area**
- **Sealed waterproof construction for extreme environments**
- **Low battery indicator / 9V battery and charger available**
- **Silent alarm mode / red LED mode / audio buzzer mode**
- **New high volume audio alert can easily be heard against normal to moderate background noise. Also contains headphone jack**
- **De-sense button and tightly controlled detection pattern allows for efficient weapons screening near floors containing re-bar**

### ■ Specifications

- **Operating frequency: 52kHz**
- **Operating temperature: -20 to 45C**
- **Weight: 409g**
- **Dimensions: 410mm (L) x 85mm (W) x 45mm (H)**
- **Power requirement: Unit requires standard**

### ■ Technical Drawing



### ■ CONTACT US

@ [info@akkula.co.uk](mailto:info@akkula.co.uk)

📞 Akkula Group

☎ +44 (0) 117 318 0845 - UK

☎ +1 (702) 509 - 7610 - Americas

Follow us on Social Media

