

6550 CHECKPOINT - Multi Energy X-ray Security Inspection Equipment

■ Overview

The 6550 Checkpoint Multi Energy X-ray Security Inspection system is an intelligent safety inspection system which is able to detect Organic, Non-Organic, Mixtures and Light metals whilst maintaining a reasonable user friendly design to maintain a highly efficient operation. The 6550 Checkpoint has two optional speeds allowing the operator to alter the speed for greater throughput at higher times of capacity.

- **Tunnel Size: 650mm (W) x 500mm (H)**
- **Dimensions: 2300mm (L) x 910 mm (W)x 1320 mm (H)**
- **Two optional speeds (0.2m/s and 0.3m/s) improves efficiency by 1.5X**

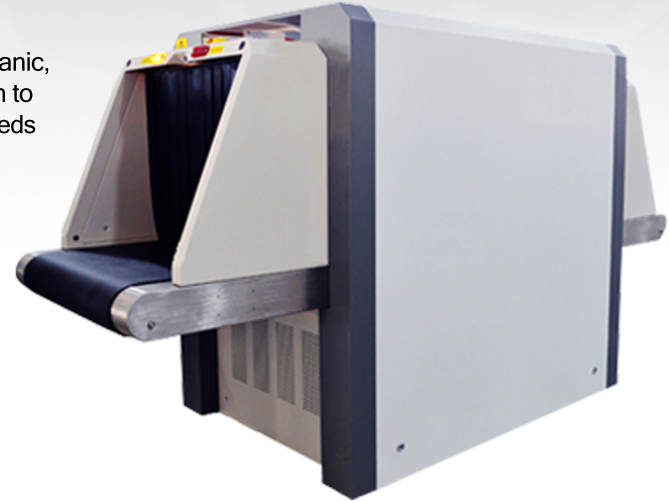
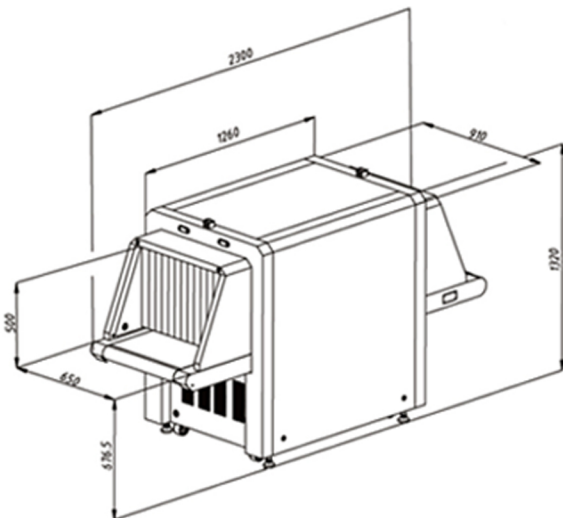
■ Features

- **EI-TIP(Threat Image Projection) function**
- **Multi-functions image processing system**
- **High-precision X-ray detectors, making images sharp & clear**
- **Two optional speeds (0.2m/s and 0.3m/s) improves efficiency by 1.5X**
- **Collects high-speed parallel of detection data**
- **Sophisticated design with multi-functions operator interface**
- **Support JPG & BMP image transformation format to USB**

■ Specifications

- **Tunnel Size: 650mm (W) x 500mm (H)**
- **Conveyor Height: 676.5mm**
- **Conveyor Speed: 0.2m/s or 0.3m/s**
- **Max Load: 160kg (Evenly distributed)**
- **System Noise: <65dB (A)**
- **Image Resolution: 17" LCD 1280 x 1024**
- **Power Consumption: About 0.46 (KVA)**
- **Size / Weight: 2300mm (L) x 910mm (W) x 1320mm (H) / 600KG**
- **Working Temperature / Humidity: 0C ~ + 45C / 20% ~ 95% (None-condensing)**
- **Storage Temperature / Humidity: 40C ~ + 65C / 20% ~ 95% (None-condensing)**
- **Power Supply: AC 220 V (+10% ~ -15%) 50+3(Hz)**

■ Technical Drawing



■ CONTACT US

- @ info@akkula.co.uk
- S Akkula Group**
- +44 (0) 117 318 0845 - UK**
- +1 (702) 509 - 7610 - Americas**

Follow us on Social Media

