

10080 CARGO - Multi Energy X-ray Security Inspection Equipment

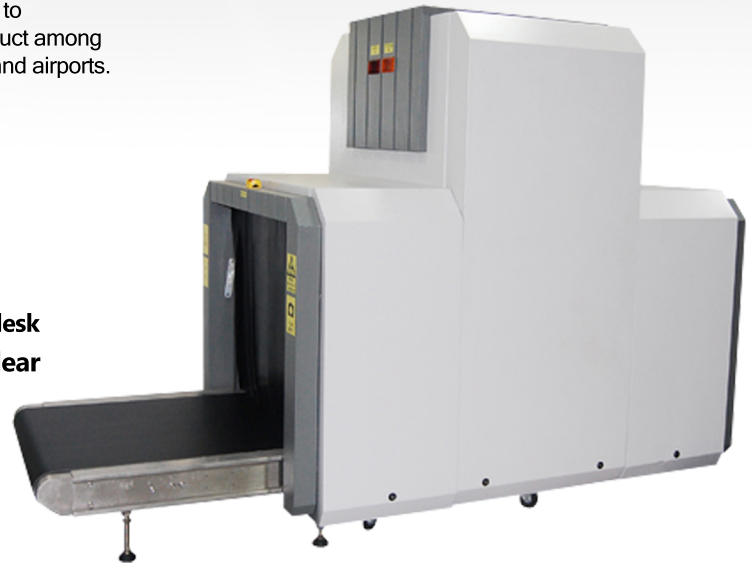
■ Overview

The 10080 CARGO Multi Energy X-ray Security Inspection system is an intelligent safety inspection system which is able to detect Organic, Non-Organic, Mixtures and Light metals whilst maintaining a reasonable user friendly design to maintain a highly efficient operation. The 10080 CARGO is a very popular product among customs facilities, transportation operations, parcel services, asset protection and airports.

- **Tunnel Size: 1010mm (W) x 810mm (H)**
- **Dimensions: 3130mm (L) x 1310 mm (W) x 1888 mm (H)**

■ Features

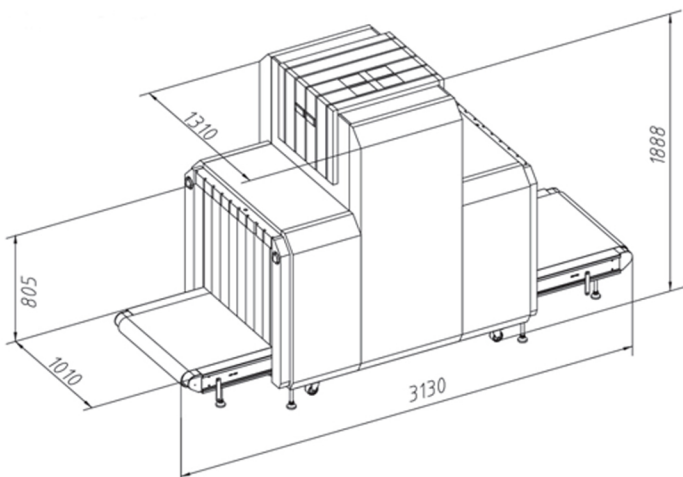
- Portable separate structural design, with independent operator desk
- High-precision X-ray detectors, making images sharp and clear
- Multi-functions image processing system
- EI-TIP(Threat Image Projection) function
- Collects high-speed parallel of detection data
- Big Tunnel design with multi-functions operator interface
- Support JPG & BMP image transformation format to USB



■ Specifications

- **Tunnel Size: 1010mm (W) x 810mm (H)**
- **Conveyor Height: 350mm**
- **Conveyor Speed: 0.2m/s**
- **Max Load: 2000kg (Evenly distributed)**
- **System Noise: <65dB (A)**
- **Image Resolution: 22" LCD 1920 x 1080**
- **Power Consumption: About 0.46 (KVA)**
- **Size / Weight: 3130mm (L) x 1310mm (W) x 1888mm (H) /2000KG**
- **Working Temperature / Humidity: 0C ~ + 45C / 20% ~ 95% (None-condensing)**
- **Storage Temperature / Humidity: 40C ~ + 60C / 20% ~ 95% (None-condensing)**
- **Power Supply: AC 220 V (+10% ~ -15%) 50+3(Hz)**

■ Technical Drawing



■ CONTACT US

- @ info@akkula.co.uk
- S Akkula Group**
- +44 (0) 117 318 0845 - UK**
- +1 (702) 509 - 7610 - Americas**

Follow us on Social Media

